

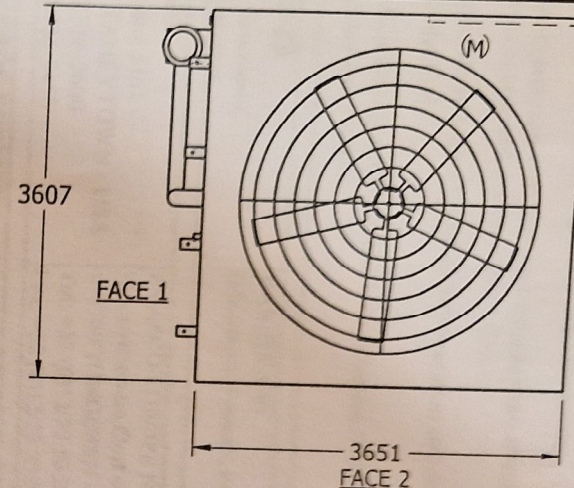
# EVAPCO, INC.



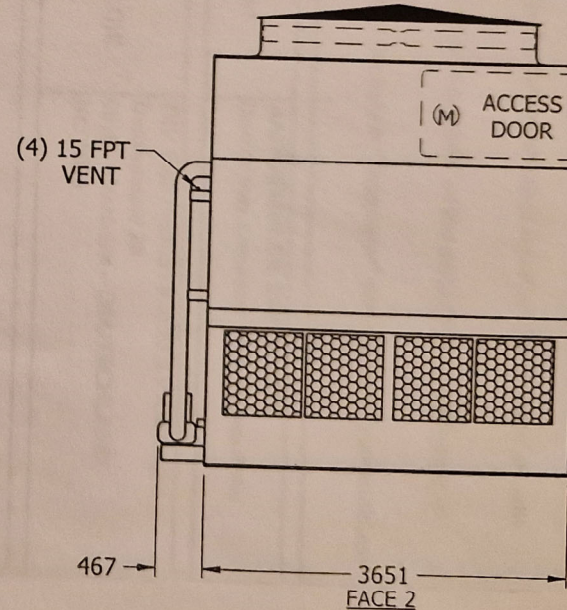
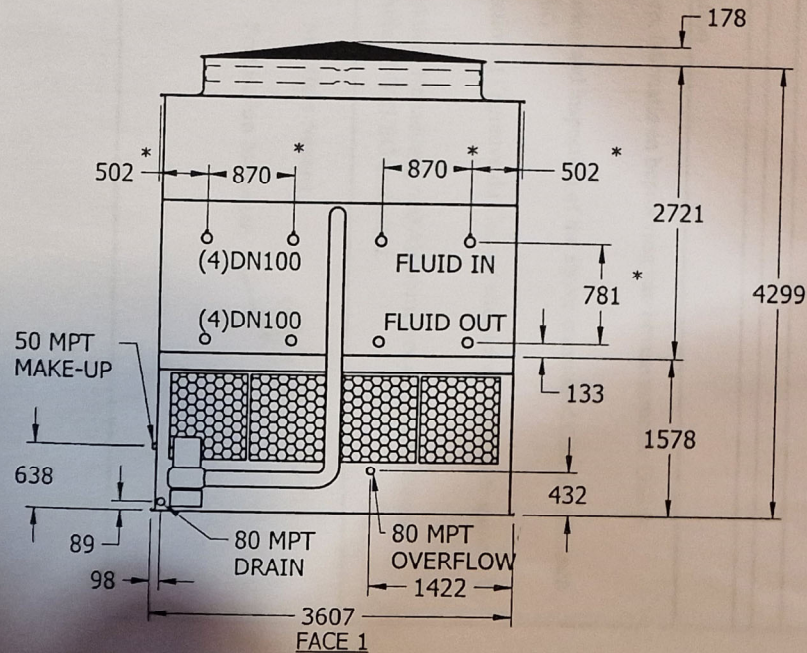
|                                      |                       |              |                           |      |      |                        |
|--------------------------------------|-----------------------|--------------|---------------------------|------|------|------------------------|
| UNIT<br><b>CLOSED CIRCUIT COOLER</b> | MODEL #<br>ATW-144-4K | SCALE<br>NTS | DWG. #<br>W2121208-MRB-HF | REV. | DATE | SERIAL #<br>6-304052.0 |
|--------------------------------------|-----------------------|--------------|---------------------------|------|------|------------------------|

**NOTES:**

- (M) - FAN MOTOR LOCATION
- HEAVIEST SECTION IS UPPER SECTION
- MPT DENOTES MALE PIPE THREAD  
FPT DENOTES FEMALE PIPE THREAD  
BFW DENOTES BEVELED FOR WELDING
- + UNIT WEIGHT DOES NOT INCLUDE ACCESSORIES (SEE SEPARATE DRAWINGS FOR ACCESSORIES)
- 19mm DIA. MOUNTING HOLES. REFER TO RECOMMENDED STEEL SUPPORT DRAWING
- MAKE-UP WATER PRESSURE-137 kPa MIN, 344 kPa MAX
- \* - APPROXIMATE DIMENSIONS DO NOT USE FOR PRE-FABRICATION OF CONNECTING PIPING.
- MAKE-UP IS LOCATED 121mm FROM CONNECTION END.



**PLAN VIEW**



|                                |      |                           |    |                                 |    |                               |
|--------------------------------|------|---------------------------|----|---------------------------------|----|-------------------------------|
| SHIPPING WEIGHT<br><b>7870</b> | kg + | OPERATING WEIGHT<br>12300 | kg | HEAVIEST SECTION WEIGHT<br>6705 | kg | NO. OF SHIPPING SECTIONS<br>2 |
|--------------------------------|------|---------------------------|----|---------------------------------|----|-------------------------------|